

Marine Cruisemaster Diesel, K Series, Standard Flow, U.S & Metric

This manual (part # 4001-406-08) applies to the following product part numbers:

U.S.

- 1) 6310-201-2K
- 2) 6310-BOS-2K
- 3) 6320-201-2K
- 4) 6320-231-2K
- 5) 6320-BOS-2K
- 6) 6305-201-2K
- 7) 6505-201-2K
- 8) 6505-BOS-2K
- 9) 65080-2012K
- 10) 6510-201-2K
- 11) 6510-231-2K
- 12) 6510-BOS-2K
- 13) 6520-201-2K
- 14) 6520-231-2K
- 15) 6520-BOS-2K
- 16) 6532-231-2K
- 17) 6532-BOS-2K
- 18) 6710-BOS-2K
- 19) 6720-BOS-2K

METRIC

- 1) 63040-BOS2K
- 2) 63080-BOS2K
- 3) 65040-2012K
- 4) 65040-2312K
- 5) 65040-BOS2K
- 6) 65080-2012K
- 7) 65080-2312K
- 8) 65080-BOS2K
- 9) 65160-2312K
- 10) 65160-BOS2K



INSTALLATION PLANNING



READ ME FIRST - Detailed Mechanical & Electrical Planning Saves Installation Hours!

FloScan systems are not difficult to install. Installing one requires only basic electrical & mechanical skills. With forethought and planning, your system will be installed with few problems. Todd Walker, Yacht Electric Co., (954) 325-9091 regularly installs FloScan Twin Diesel Systems in 16 to 20 hours. Difficult installations take him about 24. Vessel owners installing a FloScan Twin Diesel System for the first time may require an additional 4 to 10 hours.

I. Installation Preparation:

Review the pre-installation booklet and mechanical installation instructions, then survey your vessel. Determine where the Sensor(s), Pulsation Damper(s), (If used) Switches and Instruments are to be mounted. Place them at their approximate locations. Measure fuel line lengths between system components, (Primary Filter, Sensor(s), Damper(s), Engine, and Fuel Tank. Determine fitting sizes and type of fittings needed for each plumbing connection, (JIC, SAE, NPT, NPTF, or Hose Barb).

FloScan Series K High Flow, Diesel system components have 1", and ½" Female NPT ports.

FloScan Series K Standard Flow, Diesel, system components have ¼" Female NPT ports.

FloScan Gasoline High Flow, system components have ½" Female NPT ports.

FloScan Gasoline Standard Flow, system components have ¼" Female NPT ports.

Gasoline Fuel Systems: USCG requires Type A-1 Fuel Hose to be installed between the fuel tank and the engines' fuel inlet connection. Type B-1 may be used if certain safety requirements are met, (33 CFR, Subpart J, 183.558). 33 CFR Subpart J, 183.532 require hose clamps to be made from a corrosion resistant material. To meet American Boat & Yacht Council, (ABYC) standards, the clamps must be made from a corrosion resistant metal, (ABYC, H-24.11.1).

Diesel Fuel Systems: Fuel hose and fittings comprise approximately 1/3 of the total installation cost. At \$60/hr, labor costs for a twin engine High Flow system installation will run approximately \$960 to \$1200. A-1 Fabric Braid hose & fittings will cost approximately \$600. A-1 Steel Braid hose & fittings would cost approximately \$1700. **Using wire braid reinforced fuel hose increases twin engine installation costs by \$700 to \$1000. It pays to use Fabric Braided Hose, (Refer to Table II).** Both Type A-1 fabric braided and wire braided hose meet exactly the same regulatory requirements, (USCG & ABYC) but fabric braid installation costs are far less. For more information contact Ed Sanford, FloScan's Technical Service Manager at extension 302.

Fabric Braid A-1 fuel hose generally use hose barb fittings. These come in a wide range of Hose Barb to Male NPT, JIC, SAE, & NPTF sizes and combinations. Example: 12 HB X 16 MNPT, (3/4" Hose Barb by 1" Male NPT).

Steel Braid, Aeroquip type A-1 fuel hose have reusable hose end fittings. Aeroquip type hose ends come in a wide variety of types and sizes, (JIC, SAE, NPT, & NPTF).

Review the electrical installation instructions. Open and survey your vessels wire ways. Determine if it would be easier to run a 3-conductor cable from each sensor to the instrument, or install a junction box, (J-Box) with terminal strip in the engine room. The J-Box requires a 4-conductor cable from it to the instrument, and a 3-conductor cable from each sensor. Measure cable lengths from sensor(s) to J-Box, (If used) to Instrument. Tachometers require a separate 2-conductor cable. If there's an existing tachometer, its signal wires can be used.

Tools required are paper, pencil, and measuring tape. This should take no longer than 1-2 hours for both Diesel & Gasoline systems.

II. Mechanical Installation:

Install or mount the Sensor/Pulsation Damper assemblies, or Sensors, Instruments and Switches, (Reset, MPG, Port/Starboard, Synch).

Tools required are a drill motor, bits, hole saw, tape measure, straight edge, scribe/punch, half-round file, pliers, and combination wrenches. This should take 1 hour for Gasoline and single Diesel systems, no more than 2 for twin Diesels.

III. Plumbing:

Fabric Braid A-1 Fuel Hose: Install the correct HB X MNPT fitting into each fuel system component, Tank, Manifolds, Filter, Sensor(s) Damper(s) and Engine. Assemble fittings using a fuel proof pipe thread sealant. **Never use Teflon Tape.** Referring to the Fuel Flow Schematic, run the fuel hose between system components. Cut to correct length with a pocket or razor knife. Hoses should not be twisted, have adequate slack, an ample radius at all bends and be supported at reasonable distances, approximately 2-4 feet. When clamping hose onto the barbs, use 2 narrow or 1 wide stainless hose clamp on each hose end.

Tools required are combination wrenches, screwdriver, knife, drill motor, bits, and punch. This should take approximately 1 to 2 hours on gasoline and single diesel systems, no more than 3 to 4 hours on twin diesel systems.

Wire Braid A-1 Aeroquip Type Fuel Hose: Install the correct fitting into each fuel system component, Tank, Manifolds, Filter, Sensor(s) Damper(s) and Engine. Assemble fittings using a fuel proof pipe thread sealant. **Never use Teflon Tape.** Referring to the Fuel Flow Schematic, run the fuel hose between system components. Cut to correct length and install hose ends.

- If you choose to do this yourself, rent a hose-cutting tool and purchase a tube of assembly lubricant.
- Most dealers will cut and assemble both hose ends for \$10 per hose. Some charge as much as \$40.

Hoses should not be twisted, have adequate slack, an ample radius at all bends and be adequately supported at reasonable distances, approximately 2-4 feet. AP-50 copper sealing washers or Flaretite fitting seals may be required to seal JIC & SAE fittings.

Tools required are combination wrenches, screwdriver, drill motor, bits, and punch. This will take approximately 4-6 hours on single and twin Diesel systems.

IV. Electrical Installation:

Run cables between Sensor(s), J-Box, (If used) and Instrument(s). Cables must be adequately supported at reasonable distances, approximately 2-4 feet.

Tools required are a screwdriver, diagonal pliers, and possibly a wire snake. This usually takes 1 to 2 hours. Difficult runs take longer.

Wire Terminations—Referring to the wiring diagram. Connect Sensor, Instrument and Switches to their respective wires with crimp type butt or ring connectors. Always cover connectors and wire ends with heat shrink tubing.

Tools required are a screwdriver, diagonal pliers, wire strippers, pliers, and heat gun. This usually takes 1 to 2 hours on Gasoline systems, 2 to 4 hours on Diesels. Add an additional hour for confined workspaces.

Isolated Ground Electrical Systems: FloScan manufactures 12 VDC to 12 VDC, (PN 7000-097-00) and 24 VDC to 12 VDC, (PN 7000-096-00) Isolated Ground Power Supplies / Voltage Reducers. These power supplies electrically isolate the FloScan system from ship's power and are used by the Washington State Ferry System and other large steel and aluminum vessel operators. Additionally mounting sensors onto a non-conductive surface and using short lengths of non-metallic fabric braid fuel hose to connect them further isolates the system.

Diesel Fuel is non-conductive but does contain a, "Static Electricity Dissipater" additive to minimize the risk of fuel tank fires and explosions. Even with this additive, the electrical resistance of Diesel Fuel is extremely high and can be considered non-conductive. Installing the FloScan system with Isolated Ground power Supplies, Non-Conductive Sensor Mounting Surfaces and Fabric Braid Fuel Hose will electrically isolate it from the vessel's hull.

V. Pre-Startup:

- **Always Prime the fuel system before Engine Start-Up.** This prevents your engine from becoming air-bound.

If you have an electric priming or boost pump, circulate fuel for 10 minutes while checking for leaks. If the fuel system does not have an electric priming pump, use the engine's manual pump. Before starting, slightly open or crack the lift pumps' outlet fitting. Pump until all air is purged at the lift pumps' outlet. Before start-up, verify that all fuel system fittings are tight.

VI. System Start-Up:

Start and run your engines. Look for leaks and other installation problems. If system is not operating properly refer to the Troubleshooting Instructions and correct any deficiencies.

VII. Calibration:

When system is running properly, refer to the calibration instructions and calibrate your system. If installed properly, initial calibration takes less than 1 hour. After consuming some fuel, final calibration should only take a few minutes.

- The US Code of Federal Regulations, (CFR's) contain no requirement for using Type A-1, A-2, B-1 or B-2, USCG approved fuel hose on diesel powered pleasure vessels. To meet ABYC standards though, fuel hose shall comply with the requirements of UL 1114, Marine (USCG Type A) Flexible Fuel-Line Hose, or SAE J1527, Marine Fuel Hoses, (ABYC H-33.6.1).

USCG approved fuel hose with either fabric or wire reinforcing braid meet the following standards:

<u>Hose Marking</u>	<u>Permeation Rating</u>	<u>2½ Minute Fire Test</u>
USCG Type A-1	100g/m ² /24hrs.	Required
USCG Type A-2	300g/m ² /24hrs.	Required
USCG Type B-1	100g/m ² /24hrs.	Not Required
USCG Type B-2	300g/m ² /24hrs.	Not Required

Table I

Cost comparison between steel & fabric braid A-1 fuel hose on a 50' Diesel pleasure vessel with, "Stand-up" engine room,

	Aeroquip A-1 Steel Braid Hose with JIC x MNPT Fittings	A-1 Fabric Braid Hose with HB x MNPT Fittings
48', ¾" Hose / Engine x 2 = 96'	\$9.73 / Ft x 96' = \$934.08	\$5.00/Ft x 96' = \$480
Hose End Fittings, 28 Ends.	\$11.50 per End, x 28 = \$322	N/A
Hose End Assembly Fee	\$10 / Hose x 14 = \$140	N/A
Stainless Hose Clamps	N/A	28ea x \$1.49 = 41.72
Fittings 16 x 12	4ea x \$13.80 = \$55.20	4ea x \$5.39 = \$21.56
Fittings 12 x 12	20ea x \$11.90 = \$238	20ea x \$4.20 = \$84
Fittings 8 x 12	4ea x \$10.75 = \$43	4ea x \$3.59 = \$14.36
Totals:	\$1732.28	\$641.64

Table II

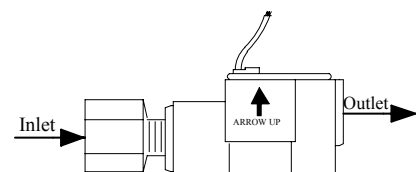
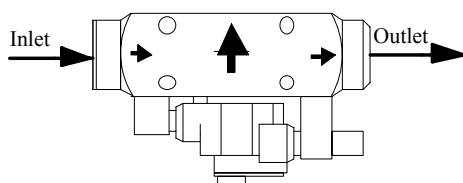
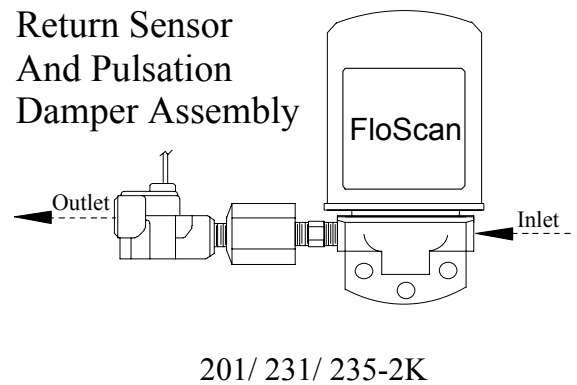
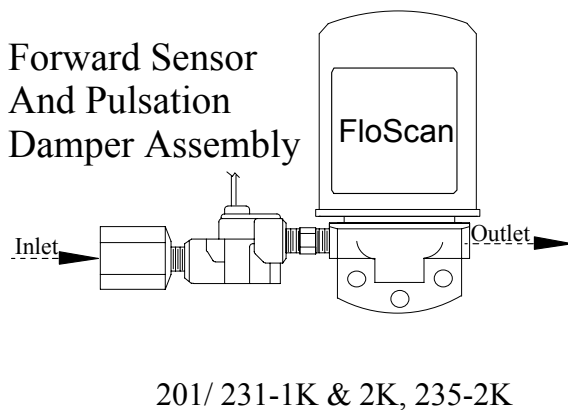
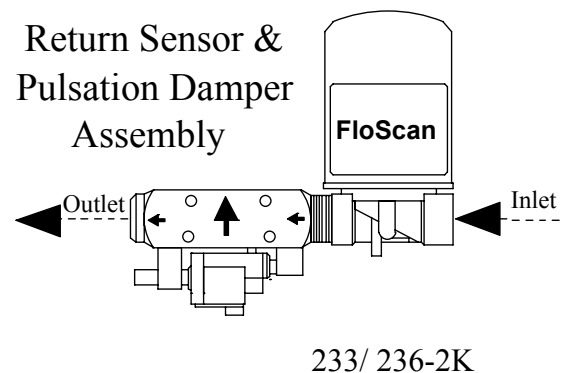
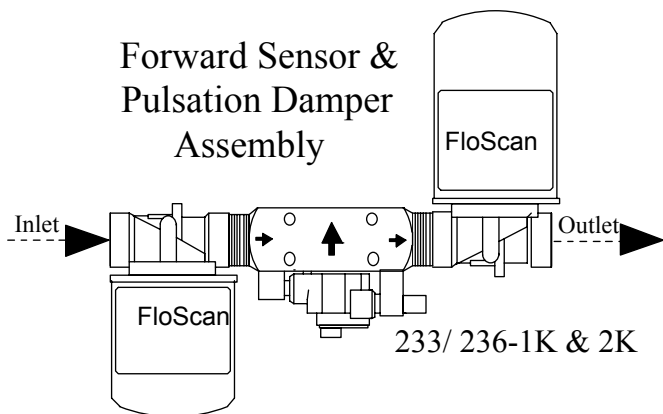
Installation Do's & Don'ts

Do	Don't
Always use a Fuel Proof Pipe Thread Sealant when assembling fittings into fuel system components, (Loctite PST, Rector Seal, or equivalent).	<u>Never use Teflon Tape!</u>
Use thin wall, low pressure, full flow type NPT or NPTF hose barb fittings.	If possible avoid using Push-Lok, Barb-Tite, JIC or SAE swivel fittings. If used, always install Copper AP-50 sealing washers or Flaretite fitting seals onto JIC and SAE swivel fittings.
Double clamp all hose barb fittings.	Minimize the use of 90° elbow fittings.
Install Sensors as far from the engine as practical. Fuel must travel, "Up-hill" at least 1 or 2 inches after leaving the Diesel Return Sensor, and all Gasoline Sensors. Verify correct orientation and fuel flow direction.	Avoid bolting or mounting sensor(s) directly onto the engine.
Always install Diesel Forward Sensor/Pulsation Damper assemblies and Gasoline Sensors in the Fuel Pump's Inlet or Vacuum line.	Limit Sensor/Pulsation Damper assembly Operating Pressure to 20 PSI or Less.
Try to use A-1 Fabric Braid Fuel Hose.	If possible avoid using steel braid, "Aeroquip" type hose, hard pipe or metal tube.
Always use 30-micron primary filters on Diesel systems. 20 and 10-micron filters are also acceptable if required by the engine manufacturer.	Avoid 2 or 5-micron primary filters.
Wire with Shielded Cable on Diesel installations. If possible use a dedicated shielded wire pair for Magnetic Pickup Tachometer Senders.	Never use unshielded wires on Magnetic Pickup Tachometer Senders.
Connect all Negative wires to a Battery Minus Buss or directly to the Battery's Negative Terminal. Connect or, "Ground" wire shields / shield drains to the engine block or vessel bonding system.	Never connect Negative, (Battery Minus) wires to the Vessels Hull, Engine Block, or other machinery.
On Instruments with a GPS interface, connect FloScan's Data (+) to the GPS signal output. Connect Data (-) to a Battery Minus buss.	Do not connect FloScan's Data (-) to the GPS Data (-).
Always use non-illuminated switches for Totalizer Reset, Port/Starboard Select, Hours/Synch, and GPH/MPG.	Never use illuminated, or back-lit switches.

MECHANICAL & WIRING OVERVIEW, (K Series & -10 Systems)

To Ensure System Accuracy, Follow All Installation Instructions.

- Sensor Placement.** Determine where the Flow Sensor, or Flow Sensor-Pulsation Damper assembly is to be installed. Install the sensor, or sensor-pulsation damper assembly so that the two fuel flow arrows, (→ →) or the, (IN and OUT) markings are on a horizontal plane. All orientation arrows, (↑) must be pointing up. The forward sensor or forward sensor-pulsation damper assembly must be installed downstream of the primary filter. Do not install the sensor or either sensor assembly at a high point in the fuel system. This could negatively impact system accuracy by trapping air. The fuel return line between the return sensors' outlet port and fuel tank should be at least 12" long and have a 1 to 2" upward rise. This keeps the return sensor flooded, improving accuracy. Place sensor assemblies in a protected location away from water spray.



***Caution: Diesel System Components are not designed for use on Gasoline Fuel Systems.**

- **Determine fitting type & size.** Minimize the number of elbows and fittings. If swivel fittings are used, (JIC or SAE) their mating surfaces must be sealed with Copper Conical Sealing Washer, (Connie Seals) or fitting seals. Fitting seals may be purchased through Fittings Inc. in Seattle, WA (206) 767-4670, 1-800-552-0632, or a local hydraulic supply house.



- **Select Instrument Mounting Location.** The instruments' face is waterproof and a gasket is provided to seal its bezel to the control panel. Choose a location away from the compass. Install 65/6600 series instruments 12" away from compass. Choose a shaded location since direct sunlight may cause the LCD display to temporarily turn. This does not damage the LCD, but makes it impossible to read until cooling down. Make a cutout in the instrument panel for the instrument. The instruments' maximum depth is 3 1/2" minus the thickness of the console panel.

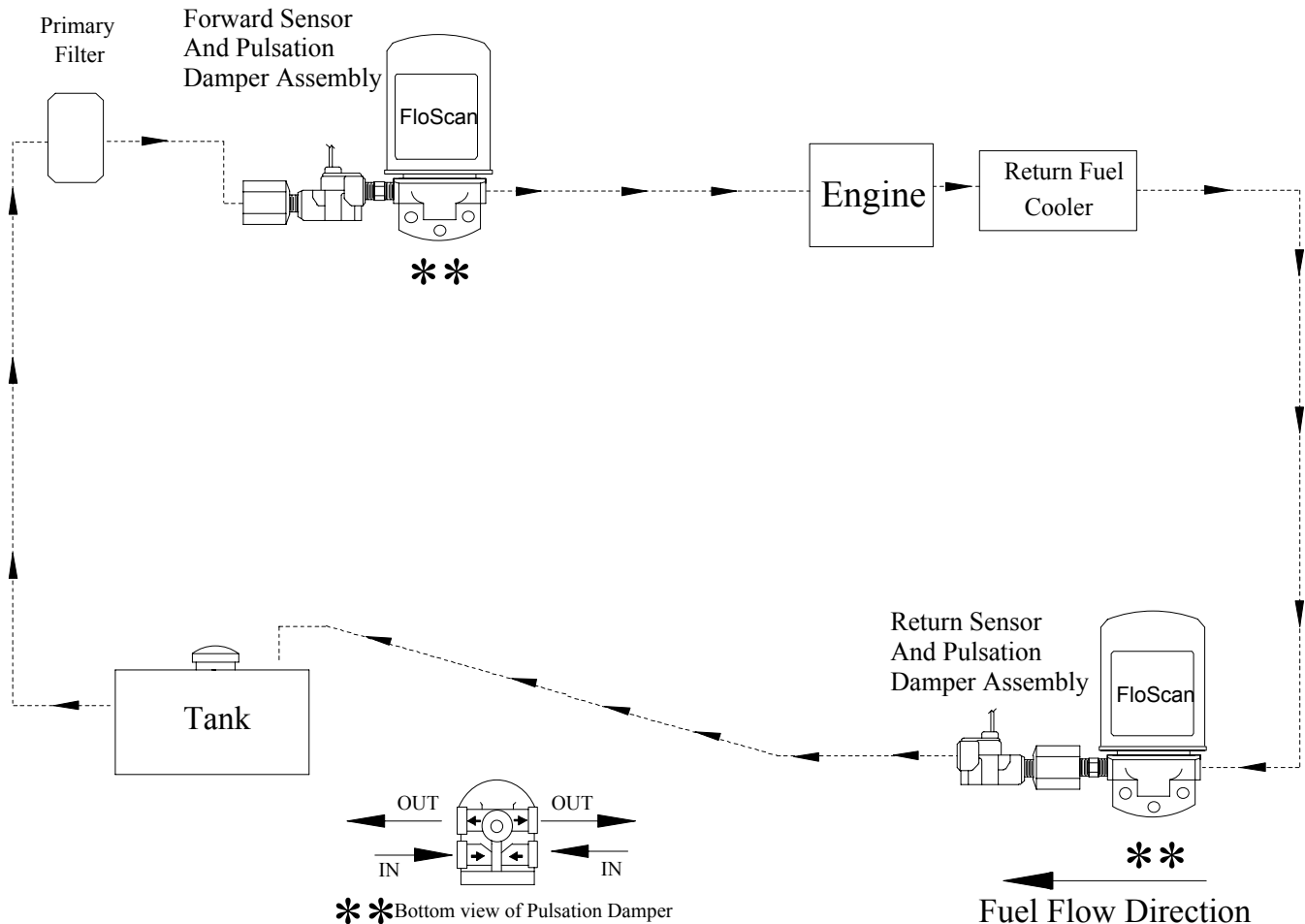
Instrument Series	Cutout Size
6500/6600	3 1/16"
7500/7600, 8500/8600, 9500/9600, TwinScan	3 3/8"

- **Wiring.** Determine wiring run length and the number of switches needed, (always use good quality marine grade switches). Use 18 AWG conductors on runs under 50'. 16 AWG for runs over 50'.
- **Run & Connect Wires.** Wire one system at a time. Always begin with the Black, "Ground" wires. Each Black sensor wire must be connected to the Black, "Instrument Ground" wire. Use a single wire to connect these Black wires to the battery's negative terminal, or to the ground buss. **For the system to operate properly the, "Ground" wires must be connected in this manner.** Connect other wires per the wiring diagram. Leave the RED, power wire for last.
- **Tachometer Installation Options.** 75/7600, 85/8600, and 95/9600 series tachometers require one or two additional wires. If your engine isn't equipped with a tachometer sender determine which type it requires, (AC Signal Generator or Magnetic Pickup) and install one. Some engine alternators produce a tachometer signal and can be used as the tachometer sender. Mechanically driven AC signal generators and magnetic pickups are available from FloScan and most marine dealers. Hewitt, Motorola, VDO and Stewart Warner are some of the more common brands.
 1. **Keep Existing Tachometer(s).** Connect the FloScan tachometers' Yellow and Violet signal wires to the existing tachometer. If the tachometer sender wire(s) are not marked, trace them from the tachometer sender up to the existing tachometer. If one

sender lead is grounded, connect the FloScan tachometers Yellow signal wire to the ungrounded lead or terminal. Connect the VIOLET wire to a Ground Buss, or Battery Minus.

2. **Replace Existing Tachometer(s).** FloScan MFI instruments have a 3 3/8" outside diameter. This is a common size and fits into most instrument mounting holes. Identify the engines' tachometer sender wires. Connect the FloScan tachometers' Yellow and Violet signal wires to the sender wires. If one sender lead is grounded, connect the FloScan tachometers Yellow signal wire to the ungrounded lead or terminal. Connect the VIOLET wire to a Ground Buss, or Battery Minus.
3. **New Tachometer(s).** Run a dedicated shielded pair of wires between the instrument and tachometer sender, (This is especially important with Magnetic Pickup senders). Ground the shield only in the engine room.
 - **Magnetic Pickup & AC Signal Generator Tachometer Senders:** Connect the FloScan tachometers' Yellow signal wire to one sender terminal. Connect the Violet wire to the other terminal.
 - **Engine Alternators:** Connect the FloScan tachometers Yellow signal wire to the alternators' tachometer output terminal. This terminal is usually marked as **TACH**, or **SIG**. Connect the VIOLET wire to a Ground Buss, or Battery Minus.
- **Pre-Startup & Installation Check.** ***Always Prime the FloScan Fuel Monitoring System.** This is an important step in preventing your engine from becoming air bound.* If you have an electric priming or boost pump, circulate fuel for 10 minutes while checking for leaks. If the fuel system does not have an electric priming pump, use the engines manual pump. Before starting, open or crack the lift pumps' outlet fitting slightly. Continue pumping all air is purged and fuel flow from the lift pumps outlet. Before start-up verify that all fuel system fittings are tight.
- **System Start-Up.** Start and run your engines. Survey the installation for leaks and other problems. If the system is not operating properly refer to the Troubleshooting Instructions and correct any deficiencies. When the engine reaches operating temperature increase engine speed to about 1500-2000 RPM. Letting it run for five or ten minute's helps purge residual air from the system.
- Any vacuum leaks between the fuel tank and lift pump will allow air to be drawn into the system. These leaks cause high and/or fluctuating GPH readings. Only severe leaks affect engine performance, but all leaks affect sensor performance and instrument readings. Vacuum or suction leaks occur at improperly sealed primary filters, loose packing nuts on cross over & shut off valves and improperly sealed fittings. Vacuum leaks can also occur from corroded copper fuel lines and chaffed fuel hose, (where it rubs against bulkheads or engine parts). To verify that a suction leak is present, temporarily insert a clear piece of fuel resistant tubing downstream of the Forward Sensors' outlet. Observe the clear hose for at least two minutes looking for bubbles. Bubbles can appear as a constant stream of small bubbles, or as an occasional larger bubble. Tighten all possible leak sources, grease primary filter seals and install fitting seals on JIC/SAE fittings. Continue to observe the clear tubing until it runs clear without any bubbles. Flex or wiggle rubber hose sections while observing the clear tubing. If bubble volume increases inspect the hose and check its fittings. Repair as necessary.
- When idling in neutral, (No Load) GPH fluctuations can also be caused by the governor trying to maintain a steady engine RPM.
- **Calibration.** When the system is running properly, refer to the calibration instructions and calibrate your system. If installed properly, initial calibration takes much less than 1 hour. After consuming some fuel, final calibration should only take a few minutes.

Fuel Flow Schematic - Low Flow Diesel Systems (BOS, 201, 231 & 235-2K)



NOTE: ** For installation convenience Standard Flow Pulsation Damper Assemblies have two IN and two OUT ports. Any combination of IN and OUT ports may be used when installing Sensors and connecting fuel lines.

***Caution: Diesel System Components are not designed for use on Gasoline Fuel Systems.**

FloScan Sensor & Pulsation Damper Plumbing Guidelines:

1. Install flow sensor & pulsation damper assemblies with their orientation arrows pointing UP \uparrow . Fuel must enter through the port marked IN, or with an inward pointing arrow, ($\rightarrow\leftarrow$) and exit through the port marked OUT, or with an outward pointing arrow, ($\leftarrow\rightarrow$). Install the sensor – pulsation damper assembly as far from the engine as practical. Maximizing fuel line length between engine and sensor – pulsation damper assembly improves instrument accuracy. Pipe plugs are provided to block unused ports. Refer to Pulsation Damper ** Bottom View.
2. Maintaining high flow velocities through the fuel lines minimizes sensor oscillations. Use the smallest approved fuel line diameter for your engine, especially on the return line. Consult the engine owners' manual for more information. To insure that the return sensor remains flooded, install the return sensor – pulsation damper assembly at a low point in the system. Fuel should travel "Up-Hill" upon exiting the return sensor.
3. Flow sensors must always be installed downstream of a filter or debris screen (no finer than 30 micron). Particles larger than 1200 microns may jam the sensors' rotor and cause it to fail.

(Continued on reverse side)

4. Flow sensor model numbers are molded into the colored plastic wire cap. Sensors are shipped in matched pairs. They must not be mixed on twin engine installations. Match codes are identified by a single stand-alone letter stamped into the sensor body, or from a colored sticker.
5. Model *235 sensors are temperature compensated and stamped with their Instruments serial number, xxxxF (Forward), xxxxR (Return). *235-2K Temp-Comp sensor kits are precisely calibrated and matched to each instrument. Sensors are labeled FORWARD and RETURN and must be installed in these positions for proper operation. The instrument head serial number must match the flow sensor(s) serial number.
6. If there's a shut-off valve in the return line, do not operate the engine with it closed. Fuel system pressure could exceed the system working pressure of 40 PSI, and may cause a catastrophic system failure. You should either tag the valve so the engine will not run when it is closed for maintenance, or bypass it with a relief valve.

NOTE: Minimize the number of 90° elbows and pipe fittings. Excessive use may create a high vacuum, fuel restricting, pressure drop across the forward part of the fuel system. Refer to the engine owners' manual for maximum fuel pump inlet vacuum. A vacuum gauge can be used to confirm that the system is within limits.

CAUTION: DO NOT OVER TIGHTEN FITTINGS. Assemble fittings with a Lubricating, Fuel Proof, Non or Semi Hardening pipe thread sealant, designed for aluminum and stainless steel threads, (Loctite 567 or equivalent). **DO NOT USE TEFLON TAPE.**

Series 5400(0)/5500(0)/56100/5800(0)/6500(0)/6600(0) AccuTroll & CruiseMaster, All Multi Function Instruments, & TwinScan®

SET UP

Wire & Switches: Use 18 AWG stranded wire on runs under 50'. For runs over 50' use 16 AWG. Shielded wire is recommended for all Diesel systems and suggested for Inboard & I/O gasoline systems. Always, "Ground" the wire shield or shield drain wires in the engine room by connecting them to the bonding system or engine block. The double wiring harness for twin engine Pulse/NMEA Diesel installations is included in all, (97/9800(0)) kits. FloScan suggests using J-Boxes, Terminal Blocks, and three conductor cables between diesel sensors and instrument to make wiring easier.

Install Single Pole Single Throw (SPST) switches for Totalizer Reset, Port-Starboard Select, Engine Hours / Synchronizer, and GPH / MPG, (switches are not included with kit). To determine which switch types are required for your system, refer to the table below. All instruments except TwinScan Tachometers require a totalizer reset switch.

SYSTEM	TOTALIZER RESET	PORT/STBD Twin Engine Systems	HOURS/ SYNCH	GPH/ MPG	MPG/ SYNCH
5400(0)	SPST or Momentary <u>OFF</u>	SPST	NA	NA	NA
5500(0)/56100	SPST or Momentary <u>OFF</u>	SPST	NA	NA	NA
5800(0)	SPST or Momentary <u>OFF</u>	NA	NA	NA	NA
6500(0)/6600(0)	SPST or Momentary <u>OFF</u>	NA	NA	NA	NA
65/6600(0) Cummins PT	SPST or Momentary <u>OFF</u>	SPST	NA	NA	NA
7000/8000(0) Gasoline MFI	SPST or Momentary ON	SPST	SPST	NA	NA
71/8A00(0) MFI - Gasoline EFI	SPST or Momentary ON	NA	NA	NA	NA
75/7600(0) Diesel MFI	SPST or Momentary ON	NA	NA	NA	NA
9000 Gasoline MFI	SPST or Momentary ON	SPST	SPST	SPST	NA
9A00(0) MFI - Gasoline EFI	SPST or Momentary ON	NA	NA	SPST	NA
95/96/97/9800(0)	SPST or Momentary ON	NA	NA	SPST	NA
TwinScan GPH Meter	SPST or Momentary ON	NA	NA	NA	NA
TwinScan Tachometer	NA	NA	NA	NA	NA
TwinScan GPH & Tachometer	SPST or Momentary ON	NA	NA	NA	SPST

NA = Not Applicable

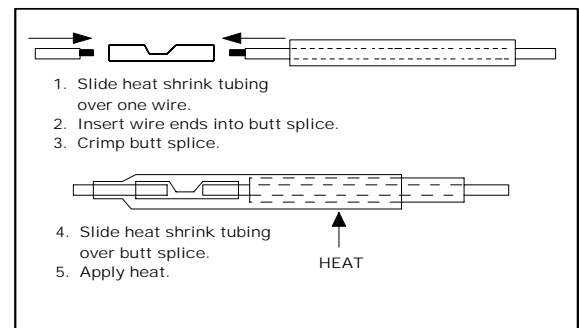
Grounding: Each Black sensor wire must be connected directly to the Black, "Instrument Ground" wire. Use a single wire to connect the Black wire junction to the battery's negative terminal, or a ground buss.

Power: FloScan Instruments & sensors operate on 9 to 12 VDC. Voltages exceeding 16 VDC will damage equipment. 24 & 32 VDC systems must be reduced to 12 VDC. Two different types of voltage reducers are available through FloScan.

WIRE CONNECTIONS

Installation: Connect wires one at a time and install heat shrink tubing before proceeding to the next wire, (refer to diagram). Connect ground wires first, (BLACK instrument ground wire to the BLACK sensor wires). Connect this junction to the battery's negative terminal or the ground buss. Connect all other wires leaving the Red power wires for last to prevent short circuits during installation.

Splicing: Splice or join individual wires per the diagram. Slide heat shrink tubing over the splices to prevent shorts. Do not seal splices until the installation is finished and has been tested.



An adequate number of crimp-on connectors and heat-shrink tubing are included with system. The heat-shrink is a special type that will bond to wire insulation and make a watertight connection. See diagram for proper tubing application. Crimp-on connectors are sized for 18 or 20 gauge stranded wire.

Tachometer Wiring Information applies only to MFI & TwinScan Instrument Tachometers

Tachometer signal wires on MFI & TwinScan Tachometers should be shielded.

For proper tachometer operation on gasoline EFI engines, (especially outboards) the engine Ground wire must be physically connected to the MFI or TwinScan instrument ground wire.

Note: FloScan recommends using dedicated 18 AWG shielded cable for tachometer signal wire connections. Always, “Ground” wire shields or the shield drain wire in the engine room by connecting to the bonding system or engine block.

MULTI FUNCTION & TWINSCAN INSTRUMENT TACHOMETERS for CARBURETOR & CLOSED LOOP EFI GASOLINE ENGINES POINTS or STANDARD ELECTRONIC IGNITIONS

Inboard, & I/O Engines: Connect the YELLOW wire from pin # 8 to the distributor coil’s negative terminal. On twin engine systems the Yellow wire from pin # 8 connects to the port engine, the VIOLET wire from pin # 16 to starboard.

Outboard Engines: Outboard tachometers are connected to either the engine alternator or tachometer signal wire. Connect the YELLOW wire from pin # 8 to the engine alternator or tachometer signal wire. On twin engine systems the Yellow wire from pin # 8 connects to the port engine, the VIOLET wire from pin # 16 to starboard.

MULTI FUNCTION & TWINSCAN INSTRUMENT TACHOMETERS for CLOSED LOOP EFI GASOLINE ENGINES with CPU IGNITION SYSTEMS

Inboard, I/O, & Outboard Engines: Connect the YELLOW wire from pin # 8 to the engines’ tachometer signal wire. On twin engine systems the Yellow wire from pin # 8 connects to the port engine, the VIOLET wire from pin # 16 to starboard.

Outboard Engines: Connect the YELLOW wire from pin # 8 to the engines’ tachometer signal wire. On twin engine systems the Yellow wire from pin # 8 connects to the port engine, the VIOLET wire from pin # 16 to starboard.

MULTI FUNCTION INSTRUMENT TACHOMETERS for OPEN RETURN EFI GASOLINE ENGINES with CPU IGNITION SYSTEMS

Inboard & I/O Engines: Connect the YELLOW wire, pin # 8 to the engines’ tachometer signal wire.

MULTI FUNCTION INSTRUMENT TACHOMETERS - DIESEL ENGINES

- Keep existing tachometer: Connect the YELLOW and VIOLET wires to the existing tachometer signal wires. If one lead is grounded at the pickup or alternator, connect the YELLOW wire to the tachometer signal wire. Connect the VIOLET wire to a ground buss.
- Replace existing tachometer: Connect the YELLOW and VIOLET wires to the existing magnetic pickup or signal generator. If one lead is grounded at the pickup or alternator, connect the YELLOW wire to the existing signal wire terminal at the tachometer and connect the VIOLET wire to a ground buss.
- Install as a new tachometer. On engine alternator installations, connect the YELLOW wire to the tachometer output terminal (usually marked “tach” or “sig”) and connect the VIOLET wire to a ground buss. For mechanically driven A-C signal generators and magnetic pickups, connect the YELLOW wire to one terminal and the VIOLET wire to the other.

TWINSCAN INSTRUMENT TACHOMETERS – DIESEL ENGINES

- Connect the YELLOW wire to one terminal the Port tachometer sender, (AC signal generator, Magnetic pickup, or the engines’ alternators tach or sig terminal). Connect the VIOLET wire to the Starboard sender. The tachometer senders’ second terminal must be grounded.

FINAL ACTIONS

Check Electrical Installation: Test all connections. Support and secure all dangling wires. Start engine and calibrate system.

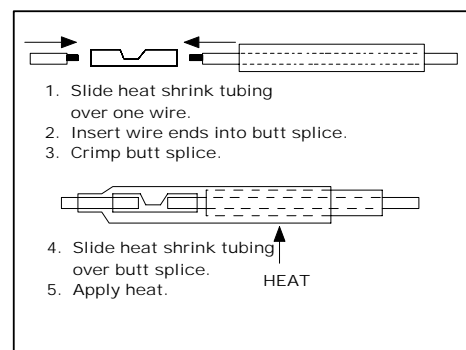
Series 6500 / 6600, 65000 / 66000 GPH Cruisemaster

To ensure years of trouble free operation, please read these instructions carefully before beginning your installation

Your Cruisemaster is supplied with a sufficient number of crimp-on and heat-shrink tubing to make a typical installation. The heat-shrink tubing is a special type that will bond with the wire insulation to make a water tight connection. See the diagram to right for proper application of the tubing. The crimp-on connectors work best with 18 gauge stranded wire (wire not included).

Connect the wires one at a time (see wiring diagram for your particular installation) and install heat shrink before proceeding to the next wire, saving the **RED** wire to +12V until last to prevent short circuits during the installation.

NOTE: On installations with two flow sensors, the **WHITE** wire **MUST** go to the Forward Flow Sensor and the **BROWN** wire **MUST** go to the Return Flow Sensor. Reversing these wires will cause the instrument to show "O" flow. The **RED** wire (to +12V Supply) should be connected to the keyed side of the ignition switch. If power is not being supplied through a fuse panel, a 1 amp fuse should be installed at the source of power (+12VDC).



SYSTEM MUST BE PROPERLY GROUNDED FOR CORRECT OPERATION

Run a stranded ground wire from the negative terminal of the battery and splice it into the black wire common between the flow sensor(s) and the instrument head. The Cruisemaster internal circuitry is isolated from the can at the instrument head to prevent ground loop interference. Connect to ground only at the black wire junction to the flow sensor(s).

The **BLUE** wire is used for troubleshooting only. Leave disconnected for normal operation. For the Cruisemaster installation a single pole, single throw (SPST) switch is required (not supplied) to reset the totalizer. A good selection is a (SPST) momentary **OFF**. Connect the **GREEN** wire through the reset switch to a constant +12VDC. The display only uses 70 microamps (.0007 amps) of power, so it will not appreciably drain your batteries even for an extended period of time. If your boat is equipped with a **MASTER BATTERY SWITCH** and you do not want to lose the totalizer memory, you will need to run a power wire through a 1/4 amp fuse to the battery. The fuse is to protect the wiring and should be as close to the battery as possible.

Connect one **BLACK** wire from the illumination bulb to the illumination circuit and the other **BLACK** wire to instrument ground. It makes no difference which one gets power.

TO RESET THE TOTALIZER

Select the **OFF** position of the *Totalizer reset switch* for approximately 15 seconds. Once the totalizer has been reset to zero, select the **ON** position of the *Totalizer reset switch* for normal operation.

LOCATION OF INSTRUMENT

The series 6500 dial meter requires a 3 1/16" diameter cutout. The instrument contains a magnet which may affect your compass, so some care is required in choosing its mounting location.

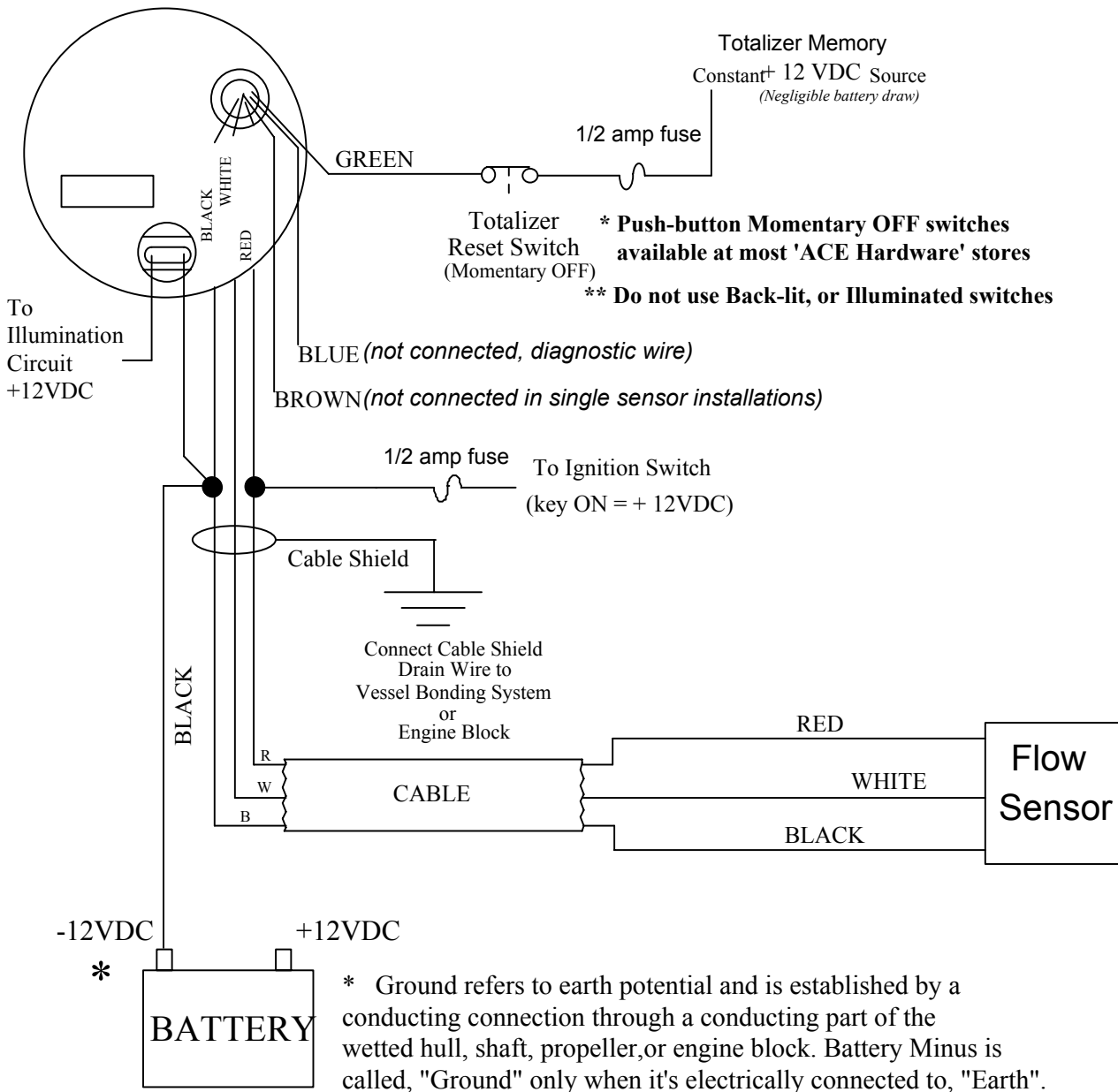
WIRING DIAGRAM

Series 5800/58000 6500/65000 6600/66000 Gas/EFI and Diesel CruiseMaster GPH Instrument with LCD Totalizer

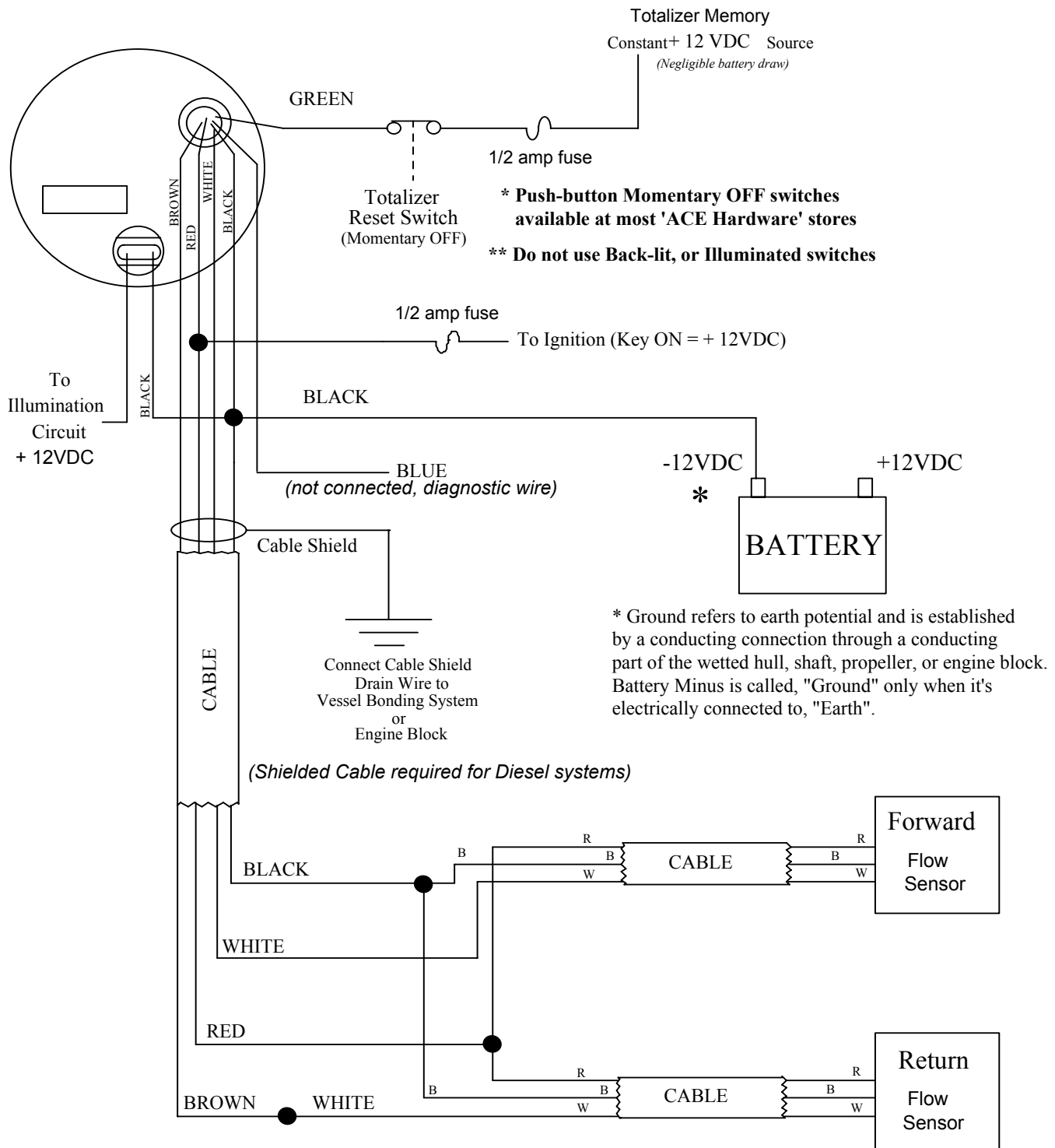
WIRING LEGEND

WIRE COLOR	FUNCTION
RED	Ignition + 12VDC
GREEN	Totalizer Memory Constant + 12VDC
BLACK	Battery Minus (-) or Minus Buss *
BLUE	Diagnostic Wire, (Not Connected)
WHITE	Forward Flow Sensor
BROWN	Not Connected

Single Sensor Installations



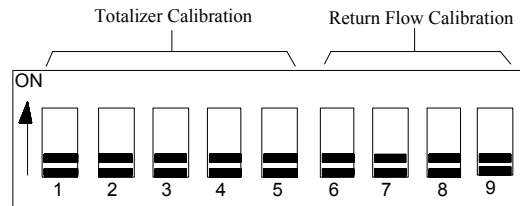
Forward and Return Sensor Gasoline EFI & Diesel Engine Installations



NOTE: For twin engine installations, you will repeat the wiring shown above for each engine.

Series 5800(0), 6500(0), 6600(0) CruiseMaster GPH/LPH Analog Instrument Diesel & Gasoline Engines with Fuel Return Lines

This is a four-part calibration procedure. Part I covers adjusting a Generator's idle consumption and totalizer calibration. Part II covers propulsion engine idle consumption, (forward and return sensor systems only). Part III helps determine the optimum fuel tank configuration. Part IV finalizes totalizer calibration for overall accuracy.



There are nine, "Dip" switches located on the back of your 6500 Series Instrument. These switches are used to calibrate the instrument prior to use. Switches 1 through 9 are shipped in the OFF position.

Instrument calibration is accomplished in two steps. First the Return Flow is calibrated with switches 6, 7, 8 & 9. Then after running the generator, or operating the vessel the totalizer is adjusted using switches 1, 2, 3, 4 & 5.

PART I: Generators & Diesel Electric Propulsion Engines

Contact the engine dealer or refer to the engine manual-data sheet and determine the engines:

- No load fuel consumption.
- The 10 % or 25% load, fuel consumption.

Idle Consumption Adjustment for Forward and Return, Two Sensor Generator Systems

- Start and run the engine until it is at operating temperature.
- Referring to the switch diagram, verify that all switches are in the down or OFF position.
- With no load, verify that the engine is running at the correct RPM, (usually 1200, 1500 or 1800).
- Referring to Table 2, turn switches 6, 7, 8 and 9 ON or OFF until the GPH reading matches the manufacturer's no load fuel consumption specification. If the instrument reads lower than the value selected, use the (-) percentages to increase its reading. If the instrument reads higher than the value selected, use the (+) percentages to decrease its reading.
- Begin by adding, or subtracting 2% from the reading. Continue in 2% steps until the desired reading is obtained.

Totalizer Calibration for Generator Systems

- Put a 10% or 25% load on the generator.
- Referring to Table 3, turn switches 1, 2, 3, 4 & 5 ON or OFF until the GPH reading matches the manufacturer's 10% or 25% load fuel consumption specification.

NOTE: Generator and Auxiliary engines turning at 1200, 1500 or 1800 RPM will consume much more fuel at No Load, than propulsion engines. If you are unable to obtain the engine manufacturer's consumption data proceed to Part's II and IV below. You should triple the readings in Part II, Table 1.

PART II: Idle Consumption Adjustment for Forward and Return Sensor Propulsion Engine Systems

Referring to Tables 1 and 2, do the following to calibrate the return flow sensor.

- Start your engine, and let it idle until it reaches its normal operating temperature.
- Increase engine speed to 1800 RPM, (Unloaded) for 1 or 2 minutes. This purges any air trapped in the fuel lines.
- Return the engine to low idle. Referring to Table 1, determine it's no load fuel consumption.
- Referring to Table 2, turn switches 6, 7, 8 and 9 ON or OFF, as necessary to get the instrument to read the amount selected from Table 1. If the instrument reads lower than the value selected, use the (-) percentages to increase its reading. If the instrument reads higher than the value selected, use the (+) percentages to decrease its reading.
- Begin by adding, or subtracting 2% from the reading. Continue in 2% increments until the desired reading is obtained.

(Continued on reverse side)

Table 1	No Load Idle Consumption	
HP	Non-Turbo	w/Turbo
50-150	0.1-0.4 GPH, (1-2 LPH)	0.2-0.6 GPH, (1-3 LPH)
150-400	0.3-0.8 GPH, (2-3 LPH)	0.5-1.0 GPH, (2-4 LPH)
400-750	0.8-1.4 GPH, (3-6 LPH)	1.0-1.7 GPH, (3-7 LPH)
750-1000	1.4-1.7 GPH, (4-7 LPH)	1.5-2.0 GPH, (6-8 LPH)
1000-1250	2.0-2.5 GPH, (8-10 LPH)	2.5-2.8 GPH, (10-11LPH)
1250-1500	2.8-3.0 GPH, (11-12 LPH)	3.0-3.5 GPH, (13-14 LPH)
1500-2000	3.0-3.5 GPH, (12-14 LPH)	3.5-4.0 GPH, (14-16 LPH)
2000-3000 +	3.5-4.5 GPH, (14-17 LPH)	4.5-5.0 GPH, (18-20 LPH)

Table 2	Switches				Change Factor
	6	7	8	9	
	On	On	Off	On	-10%
	Off	Off	On	On	-8%
	On	Off	On	On	-6%
	Off	On	On	On	-4%
	On	On	On	On	-2%
Initial →	Off	Off	Off	Off	0%
Position	On	Off	Off	Off	+2%
	Off	On	Off	Off	+4 %

Switches				Change Factor
6	7	8	9	
On	On	Off	Off	+6%
Off	Off	On	Off	+8%
On	Off	On	Off	+10%
Off	On	On	Off	+12%
On	On	On	Off	+14%
Off	Off	Off	On	+16%
On	Off	Off	On	+18%
Off	On	Off	On	+20%

Example:

The instrument reads 0 GPH after the engine warms up. Referring to Table 2, add 2% to the GPH reading by turning switches 6, 7, 8 & 9 ON, (this reduces the return sensors pulse count by 2%, thus increasing the GPH reading). If the instrument continues to read low, increase the GPH reading another 2%, (Turn switch 6 OFF). Continue to increase the GPH reading in 2% increments until the desired GPH reading is achieved.

Fuel flow fluctuations of .1 to .3 GPH are fairly common on Marine Diesels when idling. Some governors tend to hunt as they try to maintain a steady, low engine speed.

This completes the idle consumption adjustment procedure. If you're unable to obtain the correct idle setting, refer to the Troubleshooting guide for guidance in locating the problem. If you have any questions or have a problem you can't solve, call the FloScan Technical Service Department for assistance.

Part III: Determining Optimum Tank Configuration for Marine Propulsion Engines

- Determine the optimum fuel tank configuration for your vessel. If possible, single engine vessels should draw and return fuel to a single tank. On twin engine vessels, try to configure the fuel system so that each engine draws and returns fuel to its own dedicated tank. If your twin engine vessel has only a single tank, equal consumption rates for both engines must be assumed.
- Close any cross connect or limber line valves between tanks during calibration.
- Take your vessel for a short cruise. Using the GPH, (LPH) reading as a guide, determine the best cruising RPM for the way you normally operate. Don't be concerned that the readings are slightly off. Calibration is most accurate when done at a single cruising RPM.

(Continued on next page)

Part IV: Totalizer Calibration

- Fill or top off the fuel tank(s) and reset the totalizer.
- Operate the generator under load, or take the vessel for a cruise. Once underway, steam at your optimal cruising RPM. Consume a minimum of 20 to 30 gallons, (75 to 115 liters) of fuel per engine. Higher consumption gives better accuracy.
- After consuming some fuel, return to the fuel dock and refill the fuel tank(s) to the same point.
- Compare the Totalizer reading to the fuel pump reading.
- Using the formula below, calculate the percentage difference between the fuel pump & Gallons, (Liters) readings.

$$\frac{\text{Difference in Gallons}}{\text{Totalizer Reading}} \times 100$$

- Determine if the totalizer is reading High or LOW.
- Turn ON the combination of switches 1, 2, 3, 4 and/or 5 which equal that difference.
- Totalizer readings can be increased or reduced by 30%.

Example:

You determine the totalizer reading is 6.5% lower than what actually was actually used. The combined percentage total of switches 1 (2%) and 2 (4%) is 6%. Turn switches 1 and 2 and “5” ON.

Switch #5 remains OFF if the totalizer reads higher than the actual fuel used. It is turned ON if the totalizer reading is less than the fuel used.

Switch position	Amount of compensation
(1)	2%
(2)	4%
(3)	8%
(4)	16%
(5)	OFF Totalizer reading higher ON Totalizer reading lower

TROUBLESHOOTING

Series 5800(0), 6500(0), 6600(0) CruiseMaster GPH/LPH Instrument

BEFORE CALLING FOR ASSISTANCE, COMPLETE THESE TROUBLESHOOTING CHECKS AND RECORD YOUR FINDINGS. TECHNICAL SUPPORT REQUIRES THIS INFORMATION BEFORE A RETURN AUTHORIZATION WILL BE ISSUED. IT TAKES ABOUT 20 MINUTES AND IS VERY IMPORTANT IN ANALYZING SYSTEM PROBLEMS.

Before starting, record the Instrument Model Number _____ and all Switch settings.

ON										
OFF										
Switch Settings	1	2	3	4	5	6	7	8	9	

<i>FAULT</i>	<i>PROBABLE CAUSE</i>	<i>SEE SECTION:</i>
Blank LCD Display.	Wiring	Section I
No Back-Lighting.	Wiring/bulb failure	Section III
Low Totalizer Reading, more than 10%.	Calibration	Calibration sheet
	Sensor orientation/failure	Installation Sheet
High Totalizer Readings, more than 10%.	Incorrect/defective sensor	Operations
	Incorrect switch settings	Manual page
	Suction leak	Section VI
Fluctuating GPH readings.	Suction leak	Section VI
	Low RPM operation	Section VIII
No GPH or Totalizer reading.	Wiring/Instrument failure	Section IV and V
	Sensor orientation/failure	Installation sheet
No Forward or Return Sensor readings.	Wiring	Section IV and V
	Sensor failure	Section II
High Forward or Return Sensor readings.	Suction leak	Section VI
	Wrong switch settings	Calibration sheet
	Sensor orientation	Section VII

I. INSTRUMENT HEAD DIAGNOSTIC TEST:

1. Referring to the wiring diagram, verify that Instrument & Sensor(s) are wired correctly.
2. Verify that all wiring connections are tight and not corroded. Check continuity with an ohmmeter.
3. With power switched ON, measure voltage between the RED and BLACK wires, (Take readings on the **Instrument** side of the butt splice connections). _____ VDC

The voltage reading should be between 12 and 14.5 VDC. Proceed to step 4 if it is, if not:

- a. Check for voltage between the RED wire and another ground point.
- b. If voltage is present, trace along the BLACK wire until its' open connection is found.
- c. If no voltage is present, trace the RED wire until its' open connection is found.

4. With switched power ON slide, "Dip" switches 1-9 to the ON, or UP position. This places the instrument into **Diagnostic Mode**.

NOTE: If the LCD display is blank, verify that the totalizer reset switch, (Connected between the GREEN wire and +12 volts) is in the ON position. Verify that 12 VDC is present between both switch terminals and the Black wire. Next check the, "Green wire" fuse.

5. In, "Diagnostic Mode" the totalizer will count at 1 gallon or 1 liter per second. If it does not, the instrument is defective.

(Continued on Reverse Side)

6. With the BLUE wire floating, (Disconnected) the pointer should read approximately:

10 GPH models	9	40 LPH models	35
20 GPH models	18	80 LPH models	70
32 GPH models	28	160 LPH models	140
50 GPH models	45	500 LPH models	450
100 GPH models	90		

7. With the BLUE wire connected to the Instruments' BLACK wire, the pointer should read approximately:

10 GPH models	0.5	40 LPH models	2
20 GPH models	1	80 LPH models	5
32 GPH models	2	160 LPH models	10
50 GPH models	2	500 LPH models	20
100 GPH models	5		

NOTE: If readings are significantly Higher or Lower, the Instrument may be defective.

II. TEST FLOW SENSOR(S)

- When the Blue Diagnostic wire is connected to Ground, (— 12 VDC) the instrument needle displays non-calibrated fuel flow through the Forward Sensor. When the Blue wire is connected to + 12 VDC the needle shows the non-calibrated flow through the Return Sensor. Calibration adjustments do not affect diagnostic readings.
- Using the chart below, record GPH and Gallon readings at IDLE, 800 RPM, 1000 RPM, 1500 RPM, 1800 RPM and 2200 RPM. Circle **S** or **F** to indicate steady or fluctuating readings.

	Blue Wire → connected to — 12 VDC, (Forward Sensor)		Blue Wire → connected to + 12 VDC, (Return Sensor)	
S F		IDLE		S F
S F		800		S F
S F		1000		S F
S F		1500		S F
S F		1800		S F
S F		2200		S F

NOTE: Diagnostic needle readings on the 0-5 & 0-10 GPH 5800(0) and 6500(0) series instrument's, and all 6600(0) series instruments show about 1/5th of actual fuel flow. On the 0-20 & 0-32 GPH 5800(0) & 6500(0) series instruments, the needle reads about 1/3rd of actual fuel flow.

- With your voltmeter set to a DC scale greater than 14 volts, measure between the RED (+12VDC) and BLACK (Instrument ground) wires. With engine idling, measure and record the voltage reading. _____VDC
- Move the voltmeters' negative lead to the WHITE (Signal) wire. With engine idling, measure and record the voltage reading. Readings between 4 and 10 VDC usually indicate a good sensor. _____VDC
- Stop the engine while observing the voltmeter. Voltage readings should fluctuate between a high of 9 to 12 VDC, and a low of 0 to 4 VDC as the flow sensors' turbine slows to a stop. _____VDC

NOTE: This may not be seen on a digital voltmeter.

- Move the voltmeters' negative lead to the BROWN (signal) wire. With engine idling, measure and record the voltage reading. Readings between 4 and 10 VDC usually indicate a good sensor. _____VDC

(Continued on Reverse Side)

7. Stop the engine and observe the voltmeter. Voltage readings should fluctuate between a high of 9 to 12 VDC, and a low of 0 to 4 VDC as the flow sensors' turbine slows to a stop. _____ VDC

NOTE: This may not be seen with a digital voltmeter.

8. The flow sensor may be defective if voltage readings in steps 5 & 7 remain constant when the engine is stopping.

With this guide in hand, contact FloScan Technical Support.

III. BACKLIGHTING.

1. Referring to the wiring diagram, check back lighting bulb and Instrument illumination circuit.

IV. CHECK + 12 VDC and GROUND

1. Turn Instrument power ON, and go to the Instruments backside.
2. Measure between the RED (Power) wire and the BLACK (Instrument ground) wire. This reading should be approximately 12 VDC, but not lower than 10 VDC. _____ VDC
3. If 12 VDC is not present, measure between the RED power wire and a known good ground in the Instrument panel. If you measure 12 to 14 VDC between the Red wire and ground, you may have an Instrument ground problem. _____ VDC
4. If 12 to 14 VDC is not present in steps 2 or 3, check wiring, switches, fuse, and the 12 VDC power source.

V. CONTINUITY TESTING

1. Continuity testing requires access to the back of the Instrument and an Ohmmeter. It verifies that wires are not broken, shorted to ground, another wire, or to power. Before starting, secure all power.
2. Disconnect the WHITE and BLACK wire harness conductors from the WHITE and BLACK Port Sensor wires. Connect a jumper from the WHITE wiring harness conductor to a known good ground. At the back of the Instrument, connect an Ohmmeter lead to its' WHITE wire. Connect the other Ohmmeter lead to a known, good ground. The Ohmmeter should read approximately 0.1 to 3 Ω . _____ (Ohm Reading)
3. Disconnect the BROWN and BLACK wire harness conductors from the WHITE and BLACK Starboard Sensor wires. Connect a jumper from the BROWN wiring harness conductor to a known good ground. At the back of the Instrument, connect an Ohmmeter lead to its' BROWN wire. Connect the other Ohmmeter lead to a known good ground. The Ohmmeter should read approximately 0.1 to 3 Ω . _____ (Ohm Reading)

VI. FINDING FUEL SYSTEM SUCTION LEAKS

Two common complaints are Fluctuating GPH readings, and High Totalizer Readings. These are generally caused by small vacuum leaks between the fuel tank and fuel pump inlet. Generally, fluctuations tend to be between 2 and 4 GPH. Vacuum leaks also affect totalizer accuracy, and usually cause it to read about 15 to 100% high. Vacuum leaks can occur in both gasoline and diesel systems. Larger leaks produce greater fluctuations and higher readings. Except in severe cases, they do not affect engine performance.

A stiff anti-siphon valve or sticking carburetor float valve also cause fluctuating GPH readings, but do not affect totalizer accuracy. If the totalizer reading is within, (+/- 6%) you should repair or replace defective valve.

Finding suction leaks can be a time-consuming chore. When approached properly, they can be found and repaired quickly. Two common places for suction leaks to occur are the primary fuel filter/water separator and/or from a loose valve stem packing nut.

(Continued on Reverse Side)

Remove the filter housing and coat all o-rings, gaskets and sealing surfaces with a medium to heavy grease, (Not oil) and reassemble. Grease all valve stem packings and gently tighten gland nuts. **Do not** over tighten, valve handles should be able to turn freely. Tighten all hose clamps and compression fittings (**Do not** over tighten). Run the engine for 5 to 10 minutes and observe GPH readings. If you've found the problem, fluctuations should be reduced to less than ½ GPH.

If this does not cure the problem, temporarily insert a clear piece of fuel resistant tubing in the fuel line. On diesel engines, install it downstream of the forward flow sensor. Run the engine and watch for a constant stream of small bubbles in the clear tube, or an occasional larger bubble. Sometimes shining a light through the tube makes bubbles easier to see.

Have someone observe the clear tube while you shake any flexible fuel hose(s). If the bubble stream continually increases or decreases as you do this, you've found the leak area. Repair or replace as needed. If it is a one-time occurrence, you probably dislodged air trapped in the fuel line.

If you haven't found it yet, the last step is to inspect each pipe joint in the system. You should be able to see joint compound all around the joint. If you do not, that joint is suspect and needs to be resealed. After re-sealing you may need to run the engine for a few minutes to purge any remaining air. You should now see bubble free solid fuel running through the clear tube. If you still see bubbles you missed a leak somewhere, recheck your work. Remove the tube and restore the fuel system to its normal condition.

Fuel Filters:

A dirty fuel filter, or one that is too fine (2-5 micron) will draw vapor bubbles out of the fuel. Replace it with a new 10, 20 or 30-micron filter.

VII. FLOW SENSOR ORIENTATION

Sensor orientation is critical for proper operation. All Sensors have their inlet and outlet ports clearly marked (**IN / OUT** or **→ →**). This identifies fuel flow direction. The Sensor must be, "Plumbed" correctly for it to operate properly. There is an additional single arrow on the Sensor body. It is crucial that this single arrow point up **↑**.

VIII. LOW RPM OPERATION

At idle, under a no load condition, it is common for GPH readings to fluctuate slightly. These fluctuations are caused by the engine governor regulating fuel flow to maintain a steady engine RPM.

This concludes Instrument and Sensor testing. If problems persist, contact FloScan Technical Support